

PRODUCT DATASHEET

DOWNLIGHTS | TRACKLIGHTS-NORMAL TRACK

Downlights | Surface mounted spotlight 8w | Square shape

Code# TK01004-8



Areas of Application

- Shops
- Villa
- Hotel
- Club
- Corridors, stairways, entrance areas
- Galleries, museums residential interiors

Product Features

- High luminous efficacy, high CRI
- Lamp can be adjusted the irradiation direction for precise lighting
- Energy savings of up to 90% compared to halogen lamp spotlights
- CCT optional and dimmable
- Die-cast aluminum housing, ensure excellent heat dissipation
- Uniform light output and good consistency, without flicker
- Easy and quick installation
- 90° adjustable in vertical
- Rotatable through 355° on adapter

Complete Product Data

| | |
|----------------------------|----------------------------------|
| Code# | TK01004-8 |
| Wattage | 8w |
| Installation Type | Surface |
| Dimension | 55mm*55mm*165mm(86mm*55mm*288mm) |
| Cutout | / |
| IP Rating | IP20 |
| Luminous Flux | 640lm |
| Beam Angle | 15°, 30°, 45° |
| Working Temperature | -25°C ~55°C |
| Certificates | / |
| Warranty | 3 Years |
| Packing Size | / |

Driver Data

| | |
|-----------------------|---|
| Driver Brand | Tridonic, Osram, Philips, Lifud, Euchips, Eaglerise, etc. |
| Input Voltage | 100-250VAC 50/60hz |
| Output Voltage | 30-42Vdc |
| Output Current | 180mA |
| Power Factor | >0.5 as standard; >0.9 optional |
| Efficiently | 87% @230v |
| IP Rating | IP20 |
| Dimmable | Non-Dimmable/Triac/0-10v/Dali Optional |
| Free Flicker | Yes |
| Certificates | CE, CB, CCC, ENEC |
| Warranty | 3/5 Years |

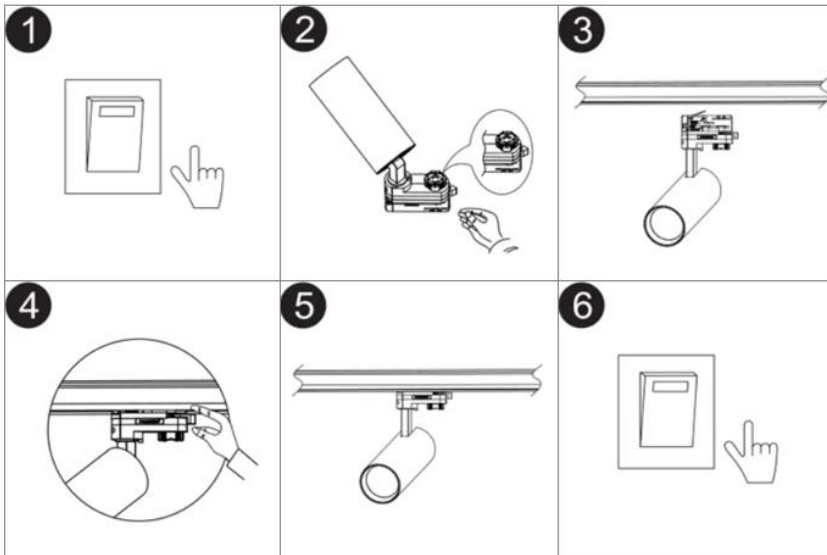
Material&Housing Data

| | |
|-------------------------|--------------|
| Housing Color | White/ Black |
| Reflector Color | White/ Black |
| Housing Material | Aluminum |

Photometric Data

| | |
|--------------------------|--------------------------------------|
| LED chip brand | Cree/ Osram /Bridgelux/ Epistar etc. |
| Chip Type | COB |
| Color Temperature | 2700K, 3000K, 4000K, 5000K, 6000K |
| CRI | >80, >90 |
| Life time | >50000Hrs |
| Lumens efficacy | 100-120lm/w |

Dimensions&Installation



PLEASE FIND A QUALIFIED ELECTRICIAN FOR INSTALLATION. Please read the instructions before you install and use the downlight.

1. Make sure the power is turned off in which you are installing the products. (Fig 1)
2. Set the power adapter to off. (Fig 2)
3. Put the track light into the track bar. (Fig 3)
4. Slide the adapter switch to ensure the adapter is locked in the track bar. (Fig 4)
5. Adjust the lighting angle and direction. (Fig 5)
6. Restore power at the source and the installation is complete. (Fig 6)